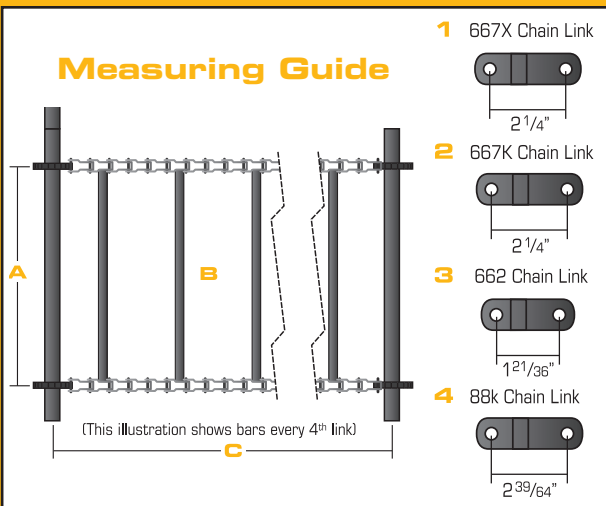


REPLACEMENT SPREADER CHAINS



Custom Capabilities

Please contact us today to discuss how our value added product can meet your needs.

Direct Phone: 800.733.5508

Measurements

(Use Above Illustration as Guideline)

- A** Center to Center _____
- B** Bar Type _____
- C** Bar Spacing _____
- D** Chain Link Style _____
- E** Pitch Size _____
- F** Hopper Length _____
- G** Weld Type (Circle One): Single / Double

Spreader Chains

- All Replacement Chains Manufactured In-House
- Substantial Savings Over Other Manufactured Replacement Chains
- Special Double Welded Process With a Quality Guarantee
- Overnight Shipping Available